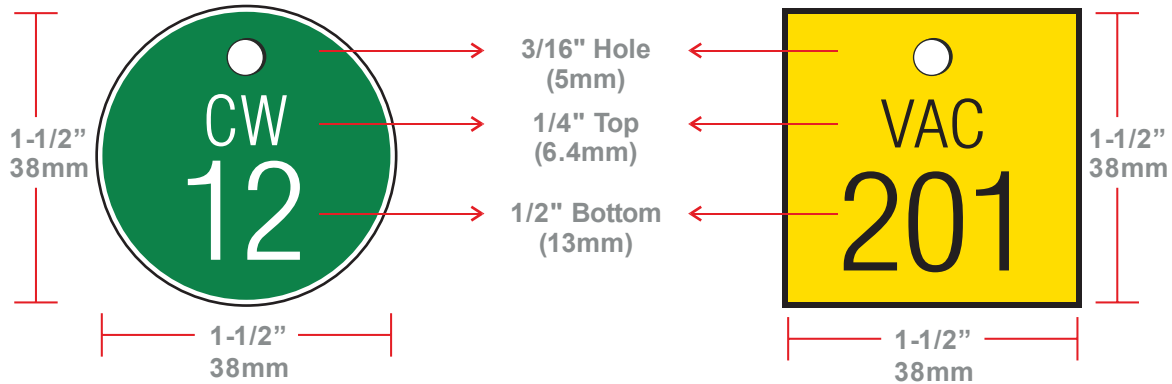


Product Information Bulletin

64 Outwater Lane, Garfield, NJ 07026 Ph: 973-340-7889 | Fax: 973-340-7809

Engraved Plastic Valve Tags

Briply™ (Regular Plastic)



Material:

Briply™ (Plastic) is a matte finish flexible blended acrylic extruded sheet, with cap an core permanently fused together. Material is also break resistant, stain resistant, chip proof and shatter proof.

Product Description:

• Brimar's standard engraved plastic tags are engraved on one side and available in a variety of colors and sizes to better identify valves.

Appearance:

- All sides are beveled for a neat finished look.
- Straight edge cut also available.

Application:

- Valve Tags are provided with mounting holes (3/16" default hole size).

Physical Characteristics:

- Standard: 2 Ply 1/16" (1.6mm) thick for engraving on one side.
- Special: 3 Ply 1/16" (1.6mm) or 1/8" (3.1mm) thick for engraving on both sides.

Size & Shapes*:

- 1-1/4" (32mm) Round
- 1-1/4" (32mm) Square
- 1-1/2" (38mm) Round
- 1-1/2" (38mm) Square
- 2" (51mm) Round
- 2" (51mm) Square
- 3" (76mm) Round
- 3" (76mm) Square
- 4" (102mm) Round
- 4" (102mm) Square

* Other sizes and shapes available too.

Material Durability:

- Indoor - Indefinite
- Outdoor - Limited (6-12 months susceptible fading) Other special products available for exterior durability.

Valve Tag Fasteners:

- Meter Seals (Lead Seals)
- #16 Jack Chain (Brass or S.S.)
- #6 Beaded Chain (Brass or S.S.)
- 6" Nylon Ties
- "S" Hooks (Brass or S.S.)
- Zinc Hooks

COLORS AVAILABLE

Background	Lettering
Black	White
White	Black
Red	White
Yellow	Black
Blue	White
Green	White
Green	Yellow

Letter Sizes:

1/4" (6.4mm), 3/8" (10mm), 1/2" (13mm), 3/4" (19mm), and 1" (25.4mm). Letter sizes are determined by size of tag, number of lines, and number of characters per line.

DATE: / /

JOB: _____

CONTRACTOR: _____