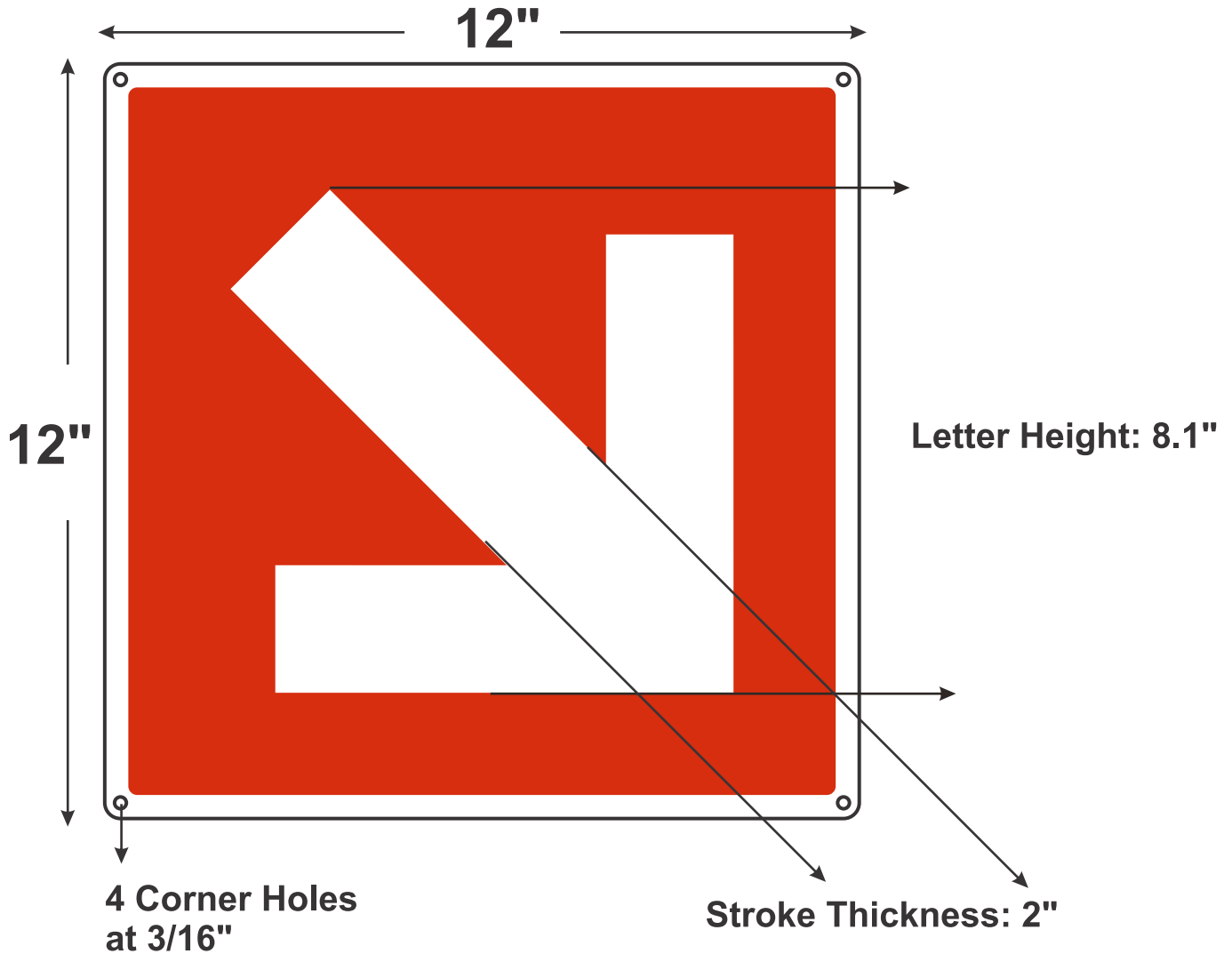


Product Information Bulletin

P.O. Box 467 | 64 Outwater Lane, Garfield, NJ 07026 Ph: 973-340-7889 | Fax: 973-340-7809



FDC-SPRINKLER SIGN



DATE: ___ / ___ / ___ JOB: _____

CONTRACTOR: _____



Product Information Bulletin

P.O. Box 467 | 64 Outwater Lane, Garfield, NJ 07026 Ph: 973-340-7889 | Fax: 973-340-7809



FDC-SPRINKLER SIGN

Material Information

Label Material: 3.5 Mil Adhesive Backed Vinyl Film

- 3.5 mil thick flexible vinyl film coated with an aggressive permanent acrylic adhesive.
- Graphics are printed using any of the following printing methods: screen printing and/or digital printing.
- Vinyl signs are the most economical option available. A favorite material for indoor application.
- Printed image will resist fading and mild chemicals.
- Outdoor Durability: 3 to 5 years
- Material Flexibility: Conform to either curved or flat surfaces
- Service Temp Range: -40°F to 180°F
- Min. Application Temp: 50° F
- Surface Preparation: Clean and Dry
- Ink Features: Printed with UV Inks
- Printing Process: Digital or Screen
- Sign Features: 1/4" Round Corners
- Back Adhesive: Yes

.055" thick Polyethylene Plastic

- Polyethylene is a rust free, chip and crack resistant plastic (in white or yellow) treated for digital and screen printing.
- Graphics are either digital or screen printed UV inks. Polyethylene signs are an economical alternative to aluminum signs, without significant compromise on durability.
- Safety Sign comes standard with 4 mounting holes at 1/4" dia., ideal for wall or fence mounting
- Graphics are printed using any of the following printing methods: screen printing or digital printing.
- Printed image will resist fading and mild chemicals.
- Inks:UV resistant inks used when printing
- Material Flexibility: .055" thick bends easily without causing material fractures, could be molded to fit certain surfaces.
- Outdoor Durability: 3 to 4 years (except red and orange)
- Service Temp Range: -40°F to 180°F
- Mounting: wall or fence mounting only.

Rust Free Coated Aluminum Sheeting:

- Rust free aluminum signs usually coated white on both sides.
- Graphics are digital or screen printed with UV inks.
- Aluminum will not chip, crack or rust.
- Aluminum is one of the most durable material options offered, with excellent resistance to harsh weather conditions.
- Printed image will resist fading and mild chemicals.
- Outdoor Durability: 4 to 5 years
- Service Temp Range: -40°F to 212°F
- Printing Process: Digital or Screen
- Mounting: wall or fence mounting only.

DATE: ____ / ____ / ____

JOB: _____

CONTRACTOR: _____